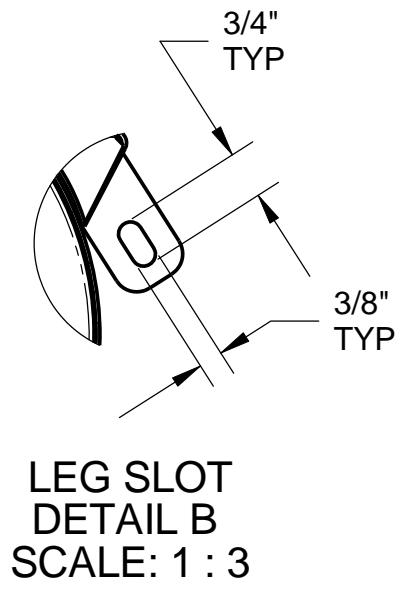
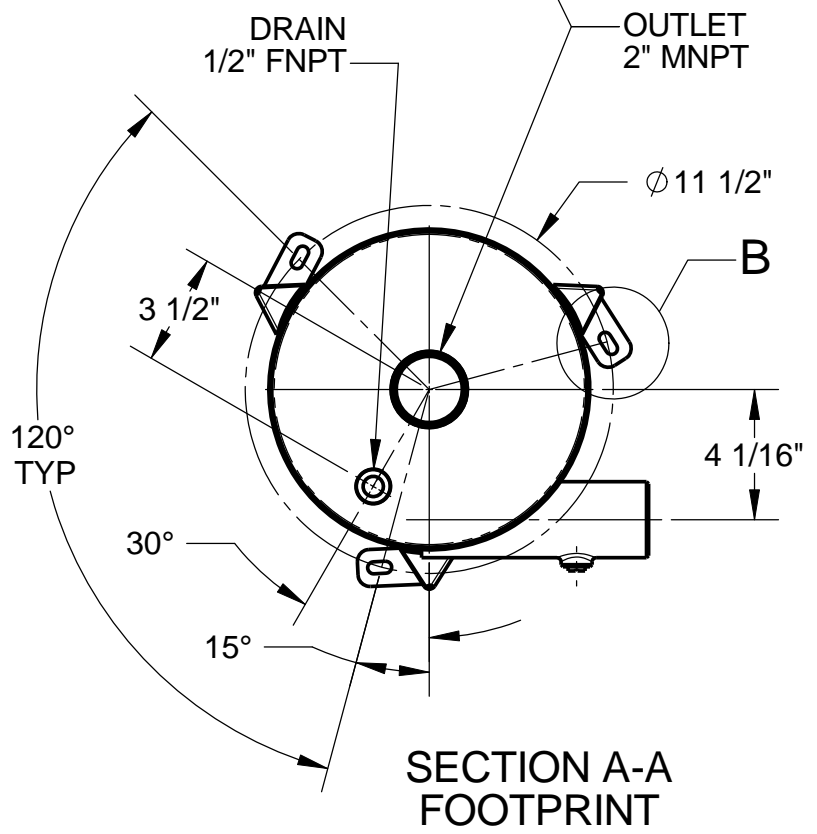
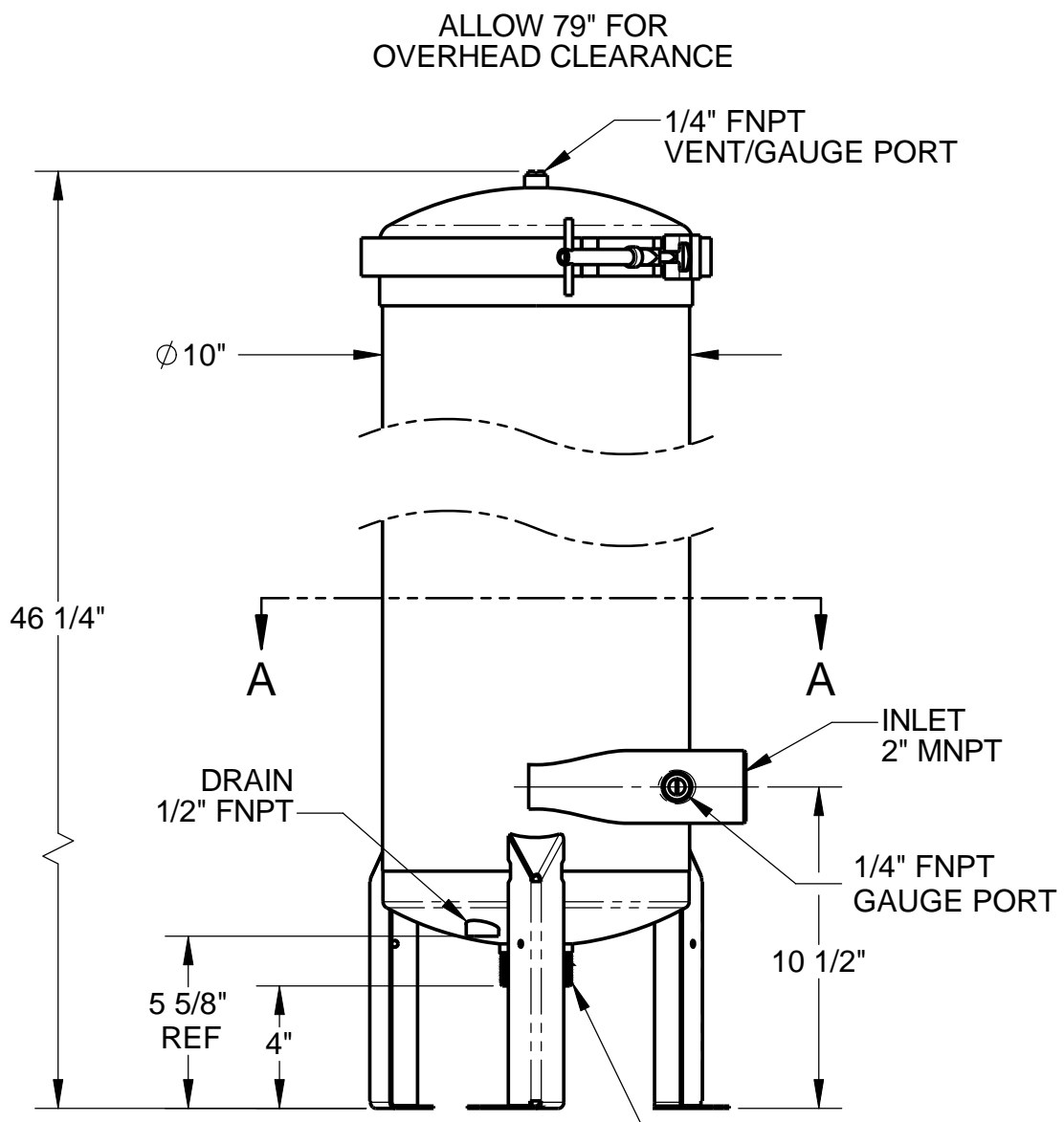


REV.	DESCRIPTION	DATE	APPROVED

E file: INSTALLATION DIAGRAM- WBC 170SC-2

THE INFORMATION CONTAINED IN THIS DRAWING IS THE SOLE PROPERTY OF HARMSCO INC. ANY REPRODUCTION IN PART OR WHOLE WITHOUT THEIR EXPRESS WRITTEN CONSENT IS PROHIBITED.



ALLOW 79" FOR OVERHEAD CLEARANCE

1/4" FNPT VENT/GAUGE PORT

Ø10"

46 1/4"

A

A

DRAIN 1/2" FNPT

INLET 2" MNPT

1/4" FNPT GAUGE PORT

5 5/8" REF

4"

10 1/2"

DRAIN 1/2" FNPT

OUTLET 2" MNPT

Ø11 1/2"

B

3 1/2"

120° TYP

30°

15°

4 1/16"

3/4" TYP

3/8" TYP

SECTION A-A FOOTPRINT

LEG SLOT DETAIL B SCALE: 1:3

HARMSCO INC.

P.O. BOX 14066

N. PALM BEACH, FL

SCALE "1:6"

PART NAME
INSTALLATION DIAGRAM

PART NO.

WBC 170SC-2

APPROVALS	DATE
DRAWN RS	2-24-12
APPROVED RPT	4/4/12

UNLESS OTHERWISE SPECIFIED DIMENSIONS ARE IN INCHES TOLERANCES ARE:
FRACTIONS DECIMALS ANGLES
+/- 1/8 +/- .010 +/- .30"

DRAWN ON CAD DO NOT SCALE