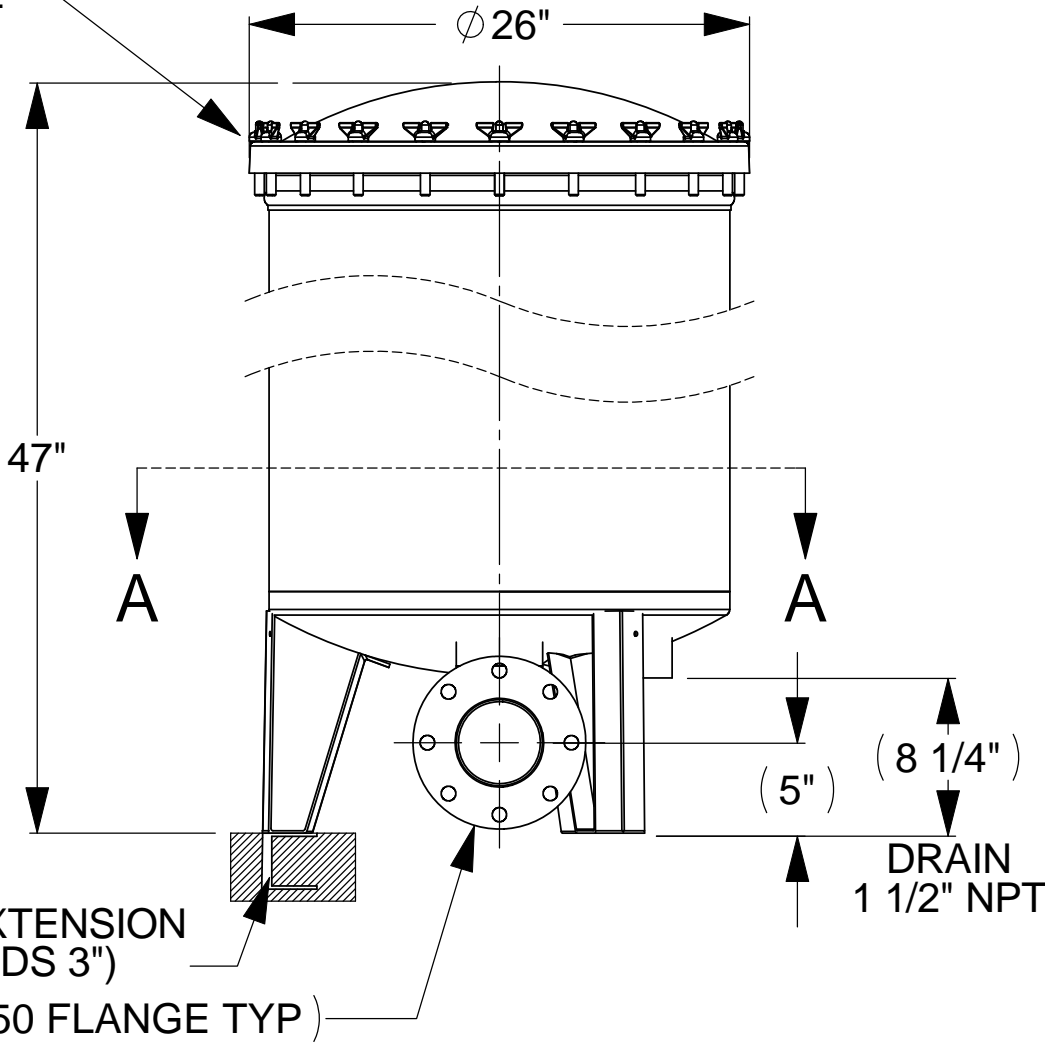


REV.	DESCRIPTION	DATE	APPROVED

40 WING NUTS
TOTAL

ALLOW 85" FOR
OVERHEAD CLEARANCE



HARMSCO INC.

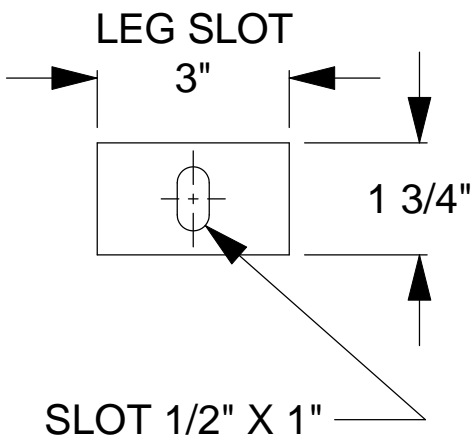
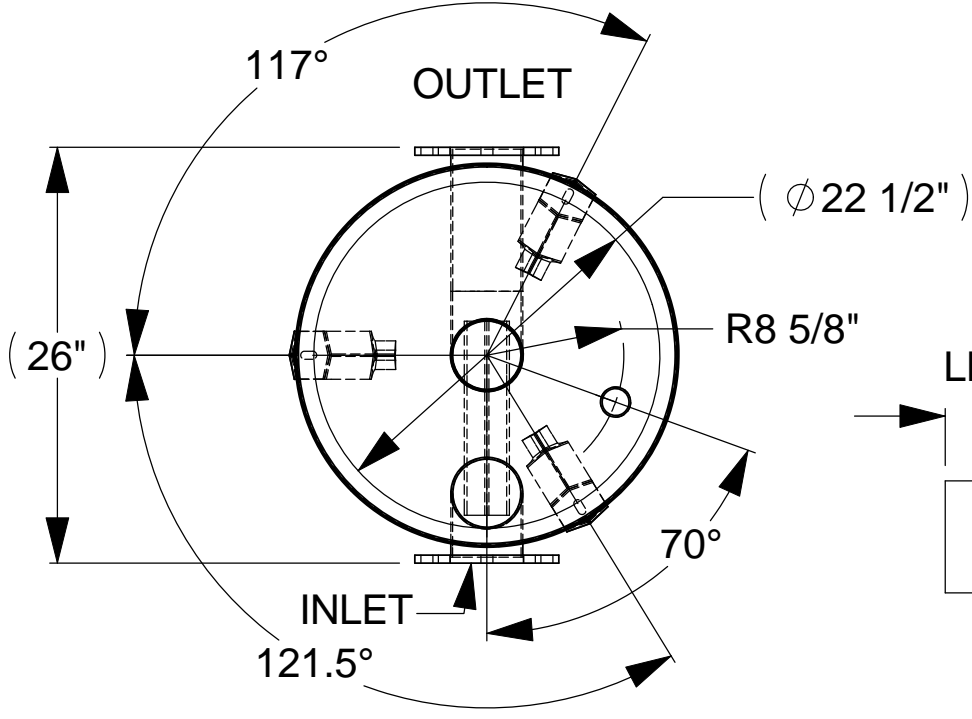
P.O. BOX 14066 N. PALM BEACH, FL

PART NO. WB 5X170FL
 PART NAME
**INSTALLATION
 DIAGRAM**

SCALE
 1:10

APPROVALS	DATE
DRAWN RPT	6/2/11
APPROVED	

UNLESS OTHERWISE SPECIFIED
 DIMENSIONS ARE IN INCHES
 TOLERANCES ARE:
 FRACTIONS DECIMALS ANGLES
 +/- 1/8 +/- .010 +/- .30
 DRAWN ON CAD DO NOT SCALE



**SECTION A-A
 FOOTPRINT**

THE INFORMATION CONTAINED IN THIS DRAWING IS THE SOLE PROPERTY OF HARMSCO INC. ANY REPRODUCTION IN PART OR WHOLE WITHOUT THEIR EXPRESS WRITTEN CONSENT IS PROHIBITED.