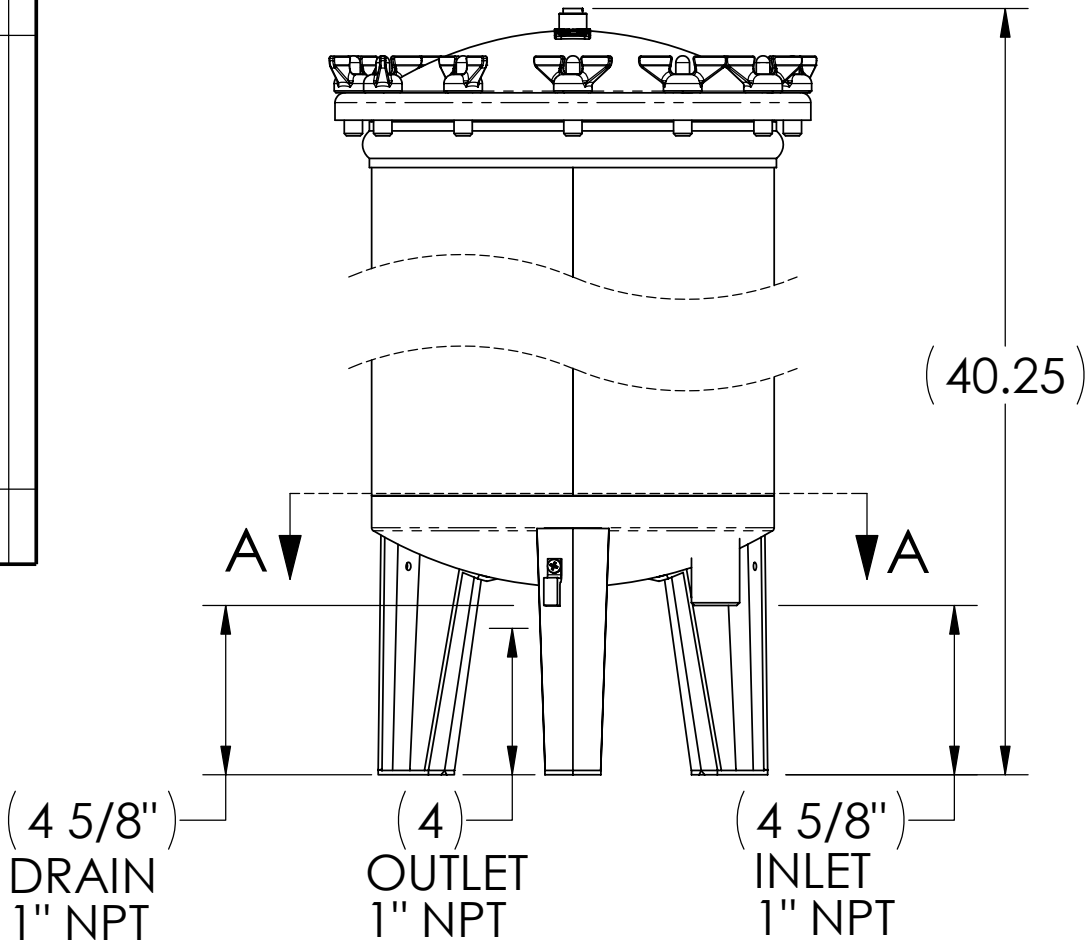
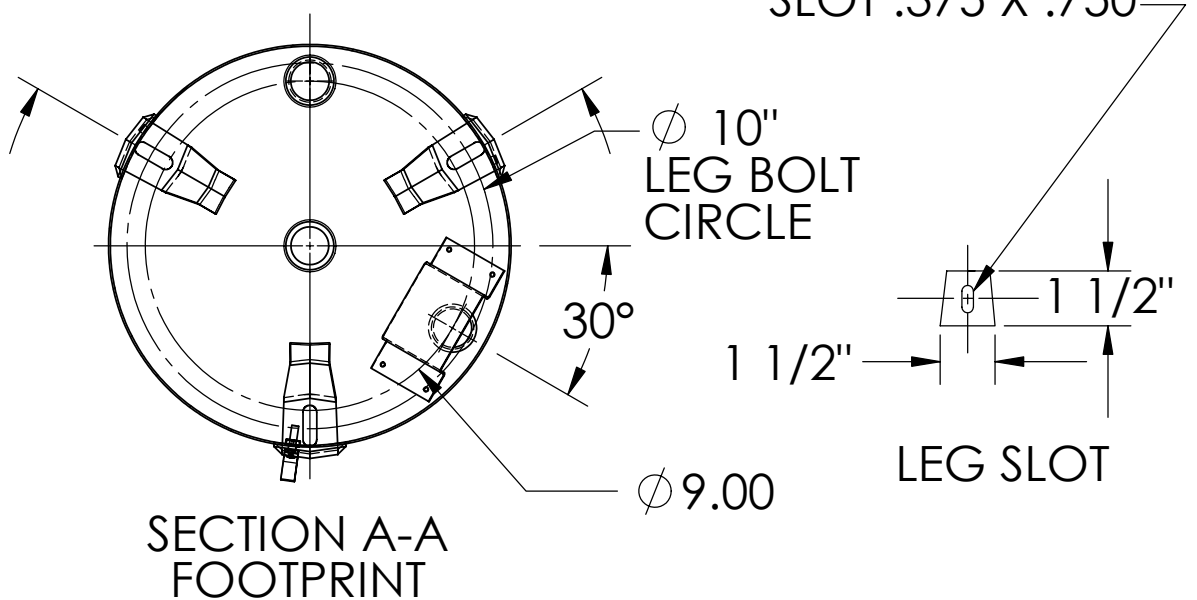


REV.	DESCRIPTION	DATE	APPROVED

ALLOW 68" FOR OVERHEAD CLEARANCE



120°
TYP



HARMSCO INC.

P.O. BOX 14066 N. PALM BEACH, FL

SCALE 1:5
PART NAME INSTALLATION DIAGRAM
PART NO. WB 170SC-1

APPROVALS	DATE
DRAWN CDB	04/03
APPROVED	

UNLESS OTHERWISE SPECIFIED DIMENSIONS ARE IN INCHES
TOLERANCES ARE:
FRACTIONS DECIMALS ANGLES
+/- 1/8 +/- .010 +/- 30'

DRAWN ON CAD DO NOT SCALE

THE INFORMATION CONTAINED IN THIS DRAWING IS THE SOLE PROPERTY OF HARMSCO INC.. ANY REPRODUCTION IN PART OR WHOLE WITHOUT THEIR EXPRESS WRITTEN CONSENT IS PROHIBITED.