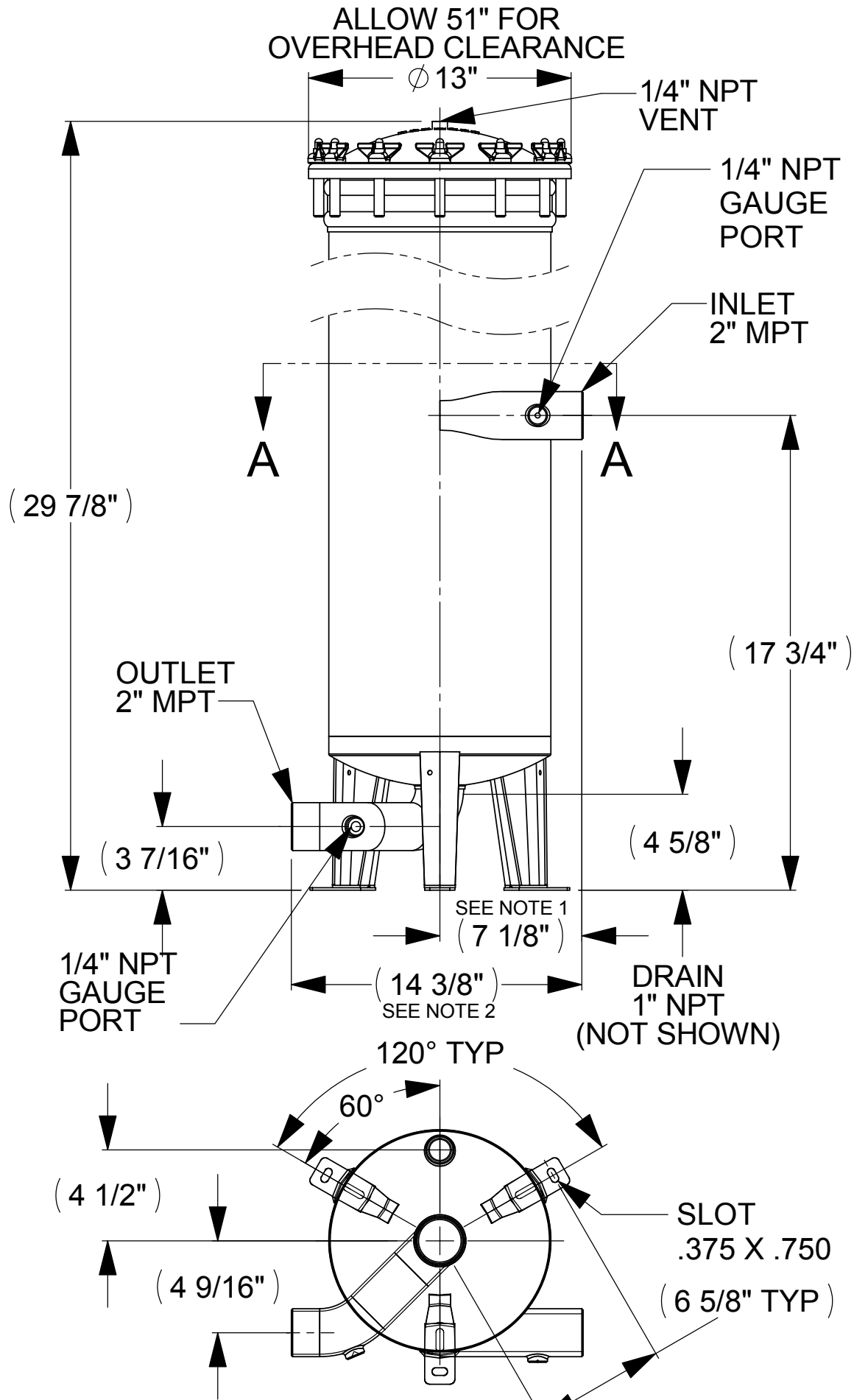


REV.	DESCRIPTION	DATE	APPROVED



**SECTION A-A
FOOTPRINT**

THE INFORMATION CONTAINED IN THIS DRAWING IS THE SOLE PROPERTY OF HARMSCO INC. ANY REPRODUCTION IN PART OR WHOLE WITHOUT THEIR EXPRESS WRITTEN CONSENT IS PROHIBITED.

HARMSCO INC.		N. PALM BEACH, FL	
P.O. BOX 14066		PART NO. HUR 90 HP	
SCALE 1:7		PART NAME INSTALLATION DIAGRAM	
APPROVALS	DATE	DRAWN ON CAD DO NOT SCALE	
DRAWN CWN	5/3/00	UNLESS OTHERWISE SPECIFIED DIMENSIONS ARE IN INCHES TOLERANCES ARE: FRACTIONS DECIMALS ANGLES +/- 1/8 +/- .010 +/- 30'	
APPROVED RPT	5/31/00	DRAWN ON CAD DO NOT SCALE	

- NOTES:**
2. ADD 1" TO THIS DIMENSION WHEN USING A THREADED FLANGE (150 PSI).
 1. ADD 1/2" TO THIS DIMENSION WHEN USING A THREADED FLANGE (150 PSI).