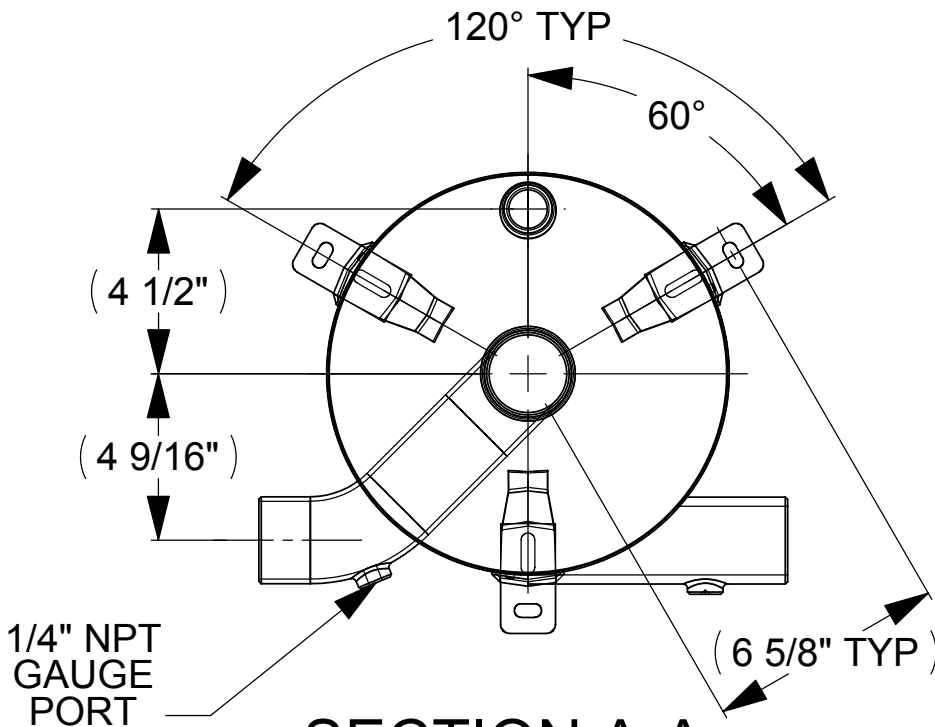
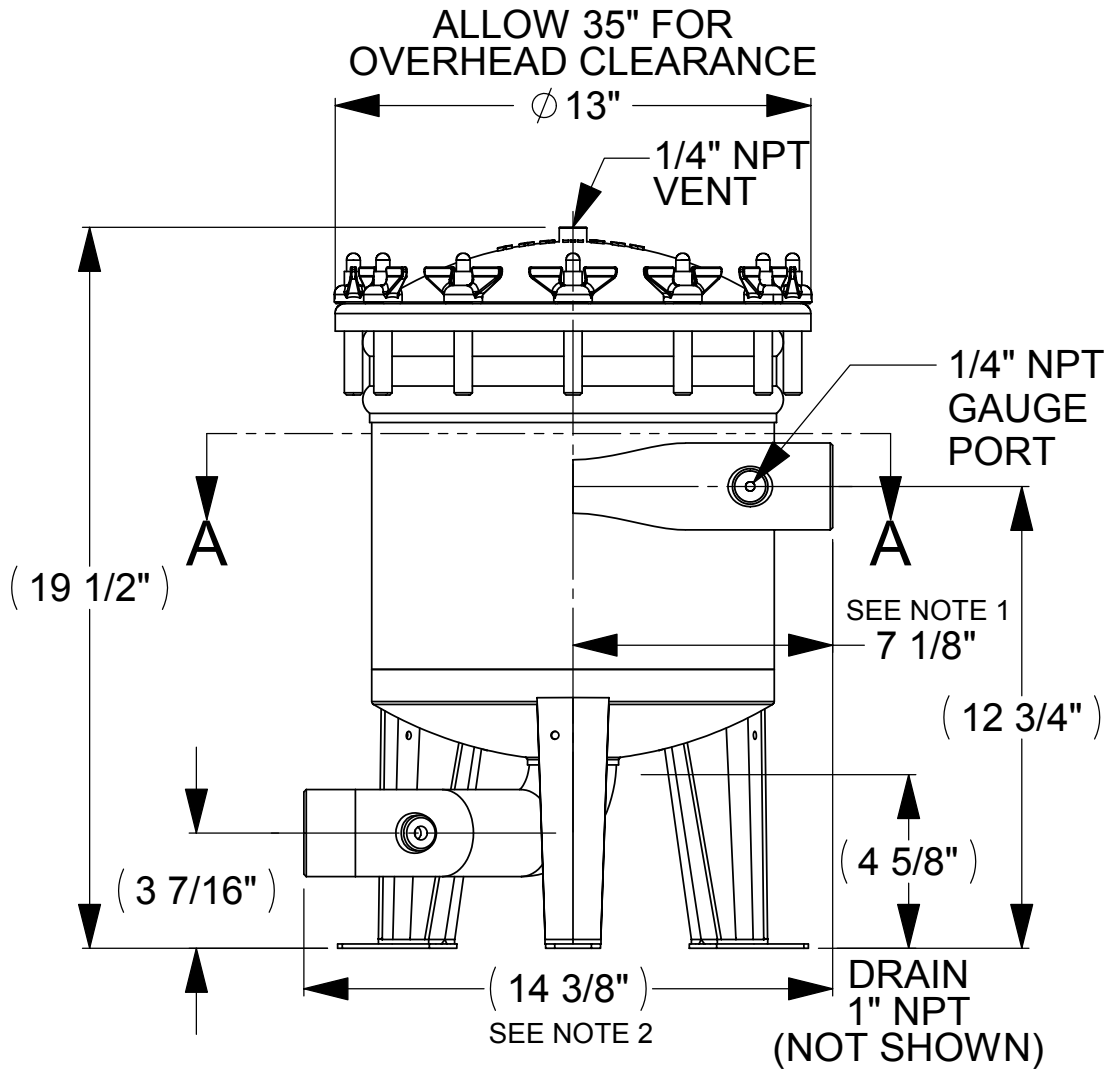


REV.	DESCRIPTION	DATE	APPROVED

THE INFORMATION CONTAINED IN THIS DRAWING IS THE SOLE PROPERTY OF HARMSCO INC. ANY REPRODUCTION IN PART OR WHOLE WITHOUT THEIR EXPRESS WRITTEN CONSENT IS PROHIBITED.



SECTION A-A
SCALE 1 : 5

HARMSCO INC.		P.O. BOX 14066		N. PALM BEACH, FL	
APPROVALS		DATE	PART NO.		
DRAWN	CWM	5/3/00	HUR 40 HP		
APPROVED	RPT	5/3/100	PART NAME		
UNLESS OTHERWISE SPECIFIED DIMENSIONS ARE IN INCHES TOLERANCES ARE:			INSTALLATION DIAGRAM		
FRACTIONS DECIMALS ANGLES			SCALE		
+/- 1/8 +/- .010 +/- 30'			1:5		
DRAWN ON CAD DO NOT SCALE					

- NOTES:**
2. ADD 1" TO THIS DIMENSION WHEN USING A THREADED FLANGE.
 1. ADD 1/2" TO THIS DIMENSION WHEN USING A THREADED FLANGE (150 PSI).