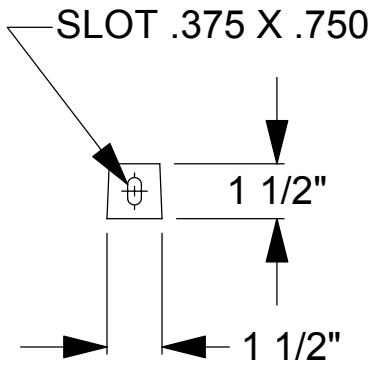
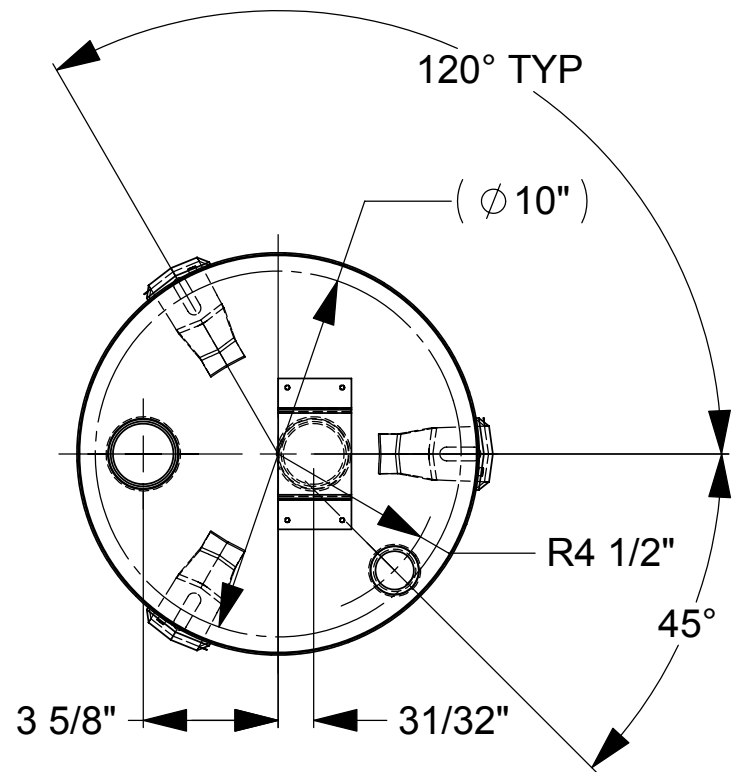
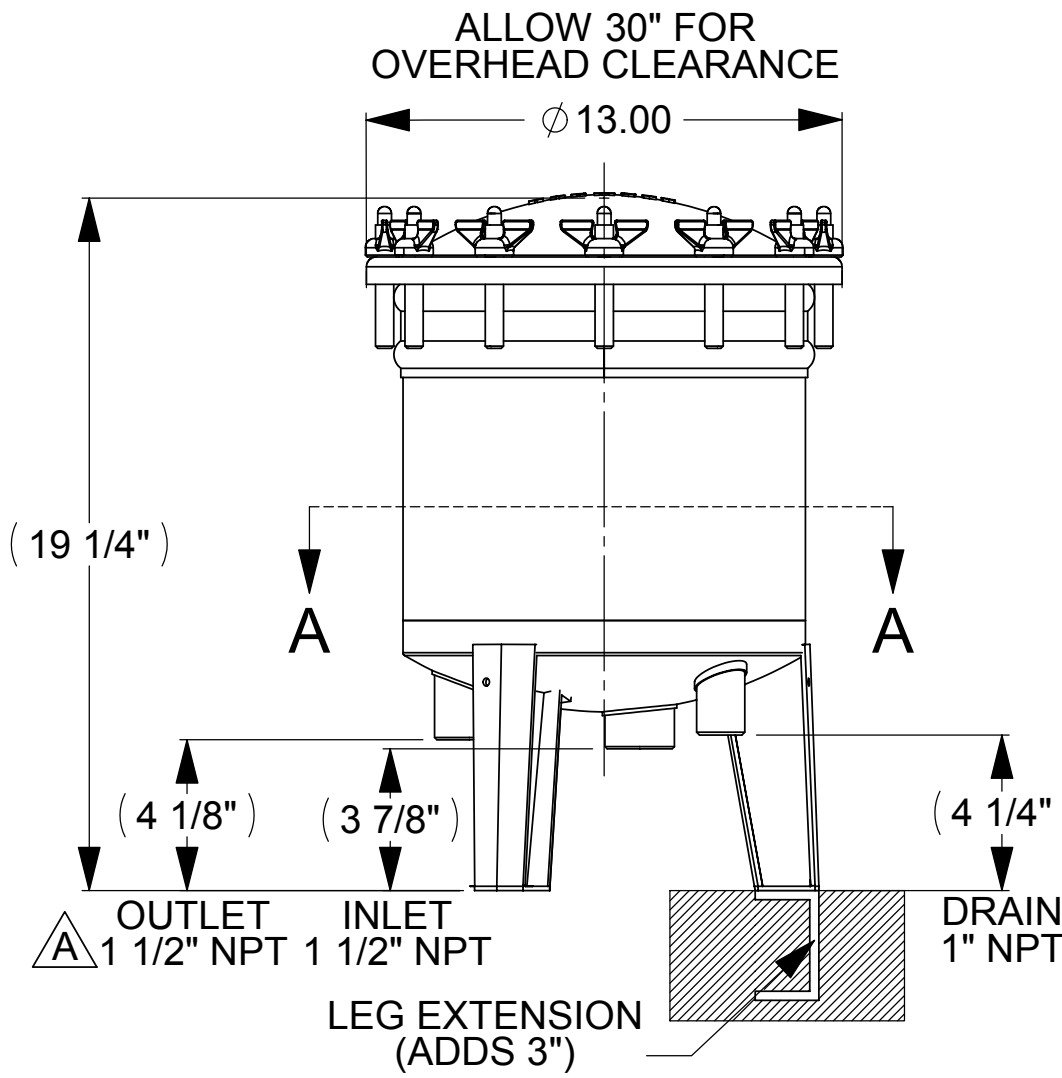


REV.	DESCRIPTION	DATE	APPROVED
	REDRAWN	10/99	

THE INFORMATION CONTAINED IN THIS DRAWING IS THE SOLE PROPERTY OF HARMSCO INC.. ANY REPRODUCTION IN PART OR WHOLE WITHOUT THEIR EXPRESS WRITTEN CONSENT IS PROHIBITED.



SECTION A-A  
FOOTPRINT

<b>HARMSCO INC.</b>		P.O. BOX 14066 N. PALM BEACH, FL	
SCALE 1:5		PART NAME	
PART NO. HIF 7		INSTALLATION DIAGRAM	
APPROVALS	DATE	DRAWN ON CAD DO NOT SCALE	
DRAWN CWN	5/1/00		
APPROVED RPT	5/31/00		
UNLESS OTHERWISE SPECIFIED DIMENSIONS ARE IN INCHES TOLERANCES ARE: FRACTIONS DECIMALS ANGLES +/- 1/8 +/- .010 +/- 30'			