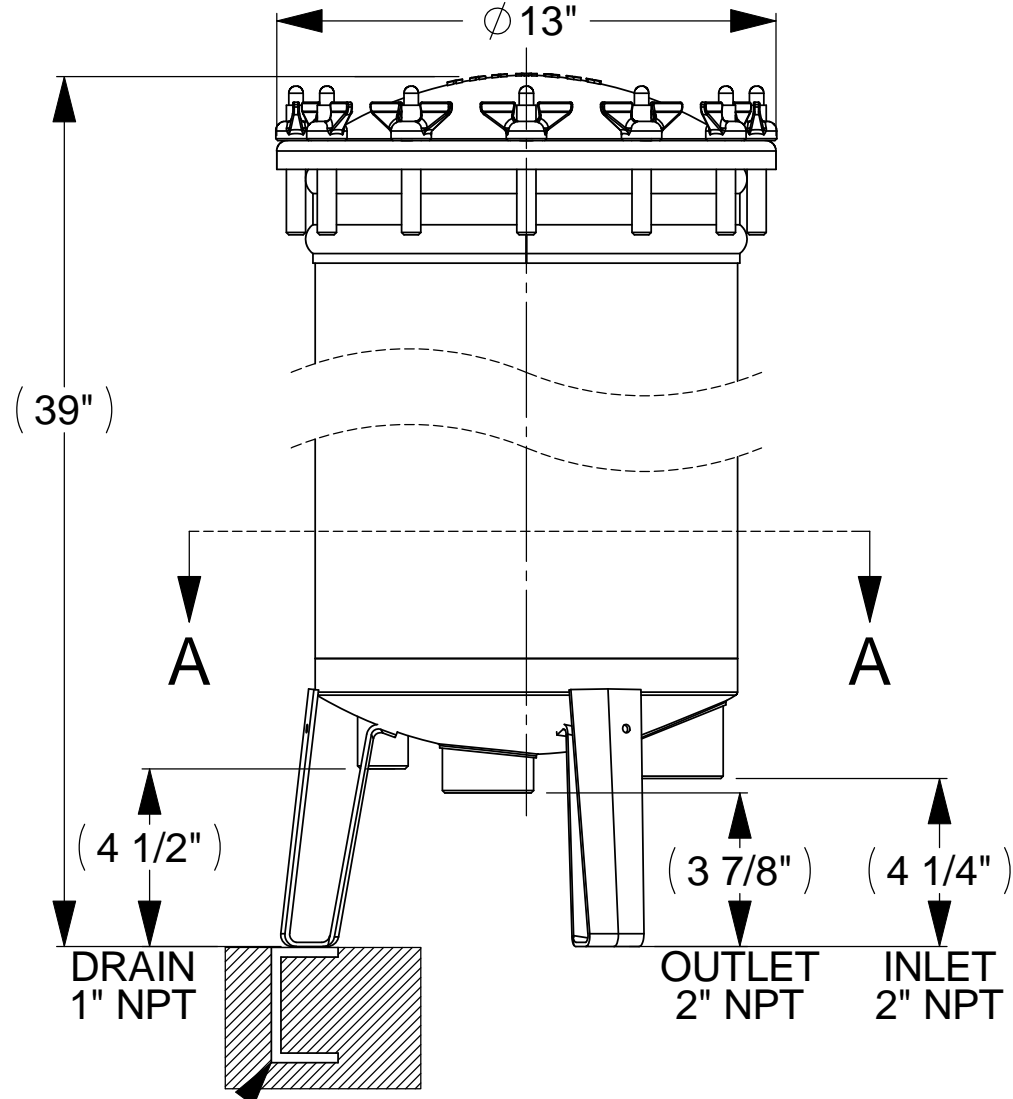
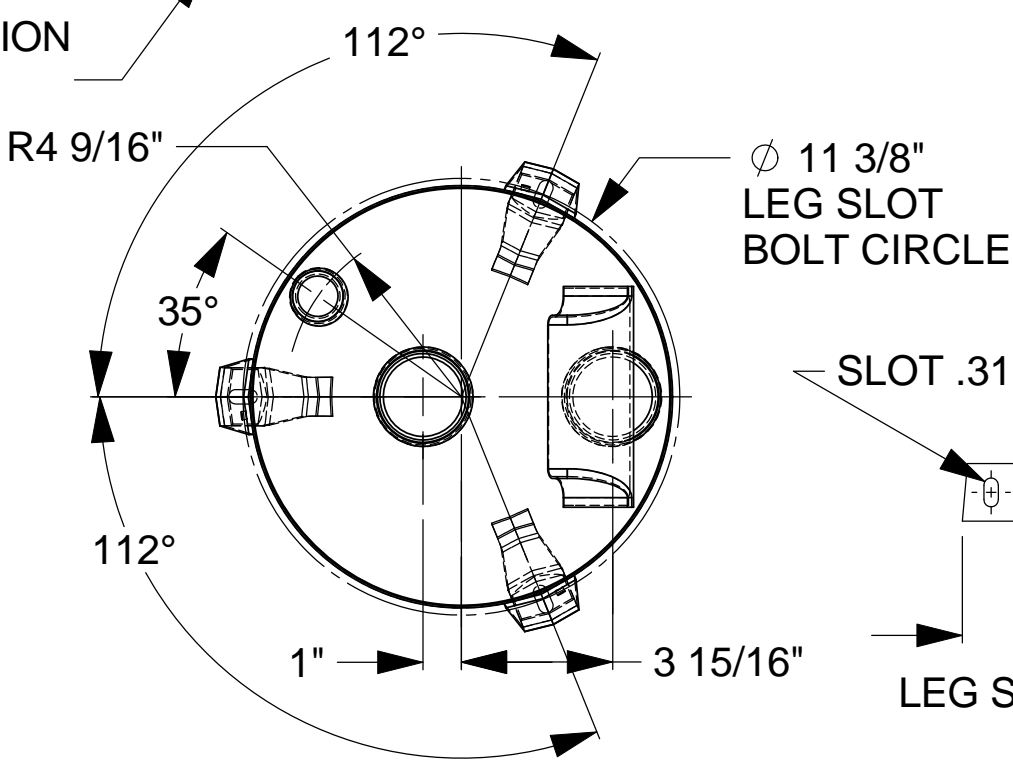


REVISIONS		DATE	APPROVED
REV. A	DESCRIPTION	11/99	
B	CALLOUT PIPE SIZE	9/13/13	RPT
	LEG SLOT BC CALLOUT WAS 10" $\phi$		

ALLOW 69" FOR OVERHEAD CLEARANCE



LEG EXTENSION (ADDS 3")



SECTION A-A FOOTPRINT

APPROVALS		DATE
DRAWN	CWN	5/2/00
APPROVED DRN.	RPT	5/31/00
UNLESS OTHERWISE SPECIFIED DIMENSIONS ARE IN INCHES TOLERANCES ARE:		
FRACTIONS	DECIMALS	ANGLES
+/- 1/8	+/- .010	+/- 30°
DRAWN ON CAD DO NOT SCALE		

**HARMSCO INC.**  
 P.O. BOX 14066 N. PALM BEACH, FL  
 SCALE 1:5  
 PART NAME INSTALLATION DIAGRAM  
 PART NO. HIF 24

THE INFORMATION CONTAINED IN THIS DRAWING IS THE SOLE PROPERTY OF HARMSCO INC. ANY REPRODUCTION IN PART OR WHOLE WITHOUT THEIR EXPRESS WRITTEN CONSENT IS PROHIBITED.