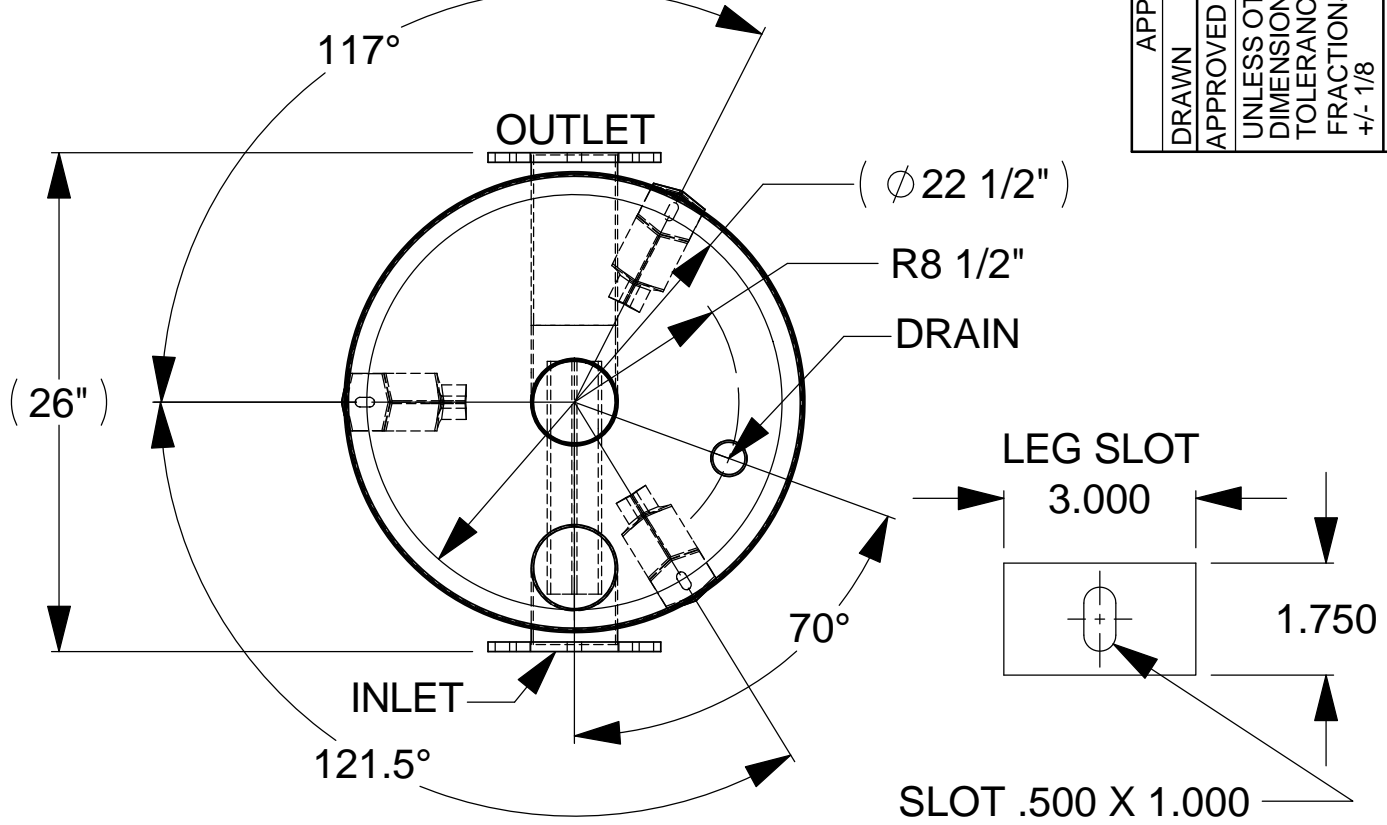
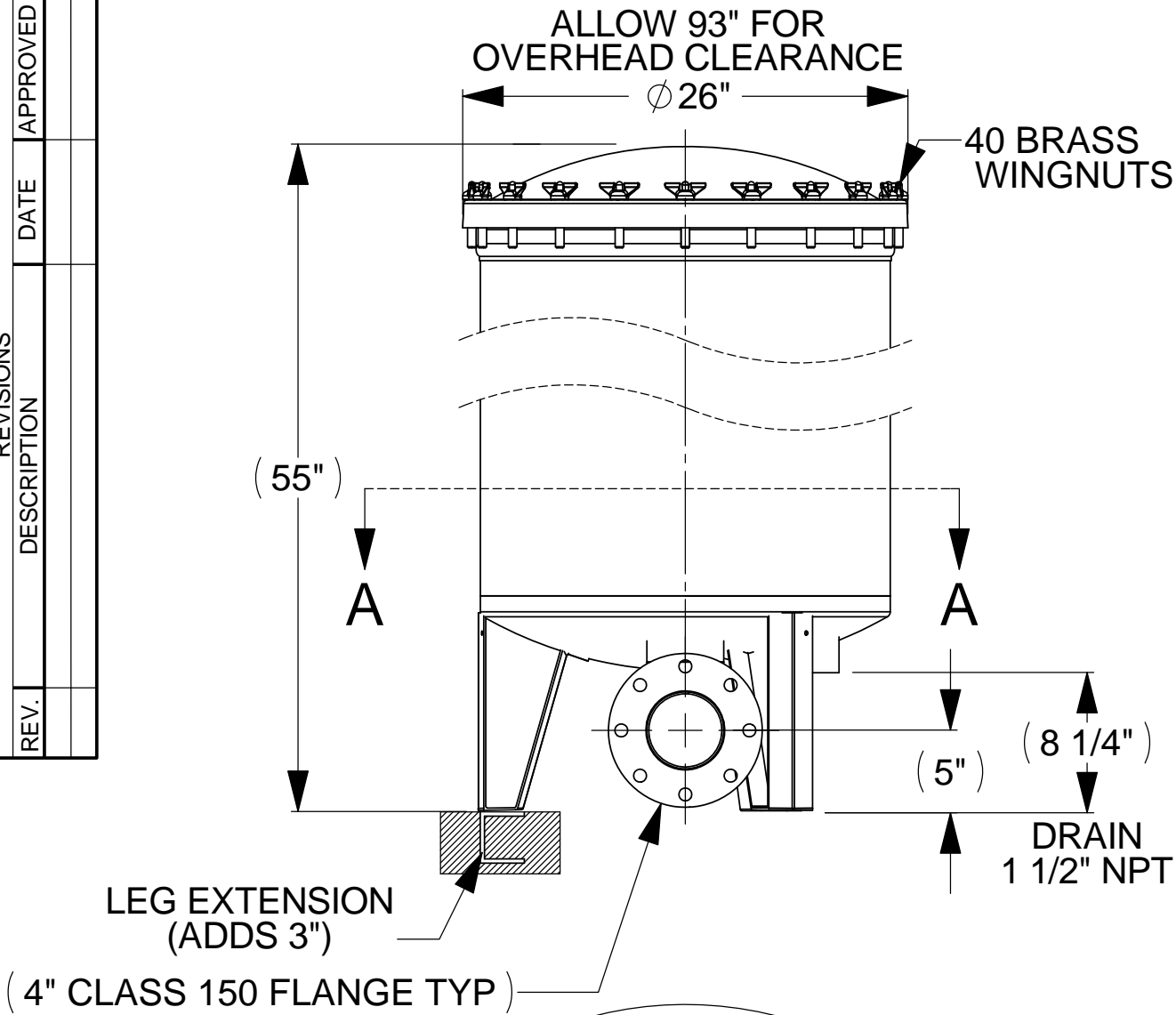


REV.	DESCRIPTION	DATE	APPROVED

THE INFORMATION CONTAINED IN THIS DRAWING IS THE SOLE PROPERTY OF HARMSCO INC. ANY REPRODUCTION IN PART OR WHOLE WITHOUT THEIR EXPRESS WRITTEN CONSENT IS PROHIBITED.



- NOTE:
1. ALL HOUSING MAT'L'S = SS 304.
 2. STANDPIPE MAT'L'S = CPVC PLASTIC PIPE.
 3. LIFTER MAT'L'S = CPVC PLASTIC PIPE.

HARMSCO INC. P.O. BOX 14066 N. PALM BEACH, FL		PART NO. HIF 200FL	
		PART NAME INSTALLATION DIAGRAM	
APPROVALS DRAWN APPROVED		DATE 5/06	SCALE 1:10
UNLESS OTHERWISE SPECIFIED DIMENSIONS ARE IN INCHES TOLERANCES ARE: FRACTIONS DECIMALS ANGLES +/- 1/8 +/- .010 +/- .30°		DRAWN ON CAD DO NOT SCALE	