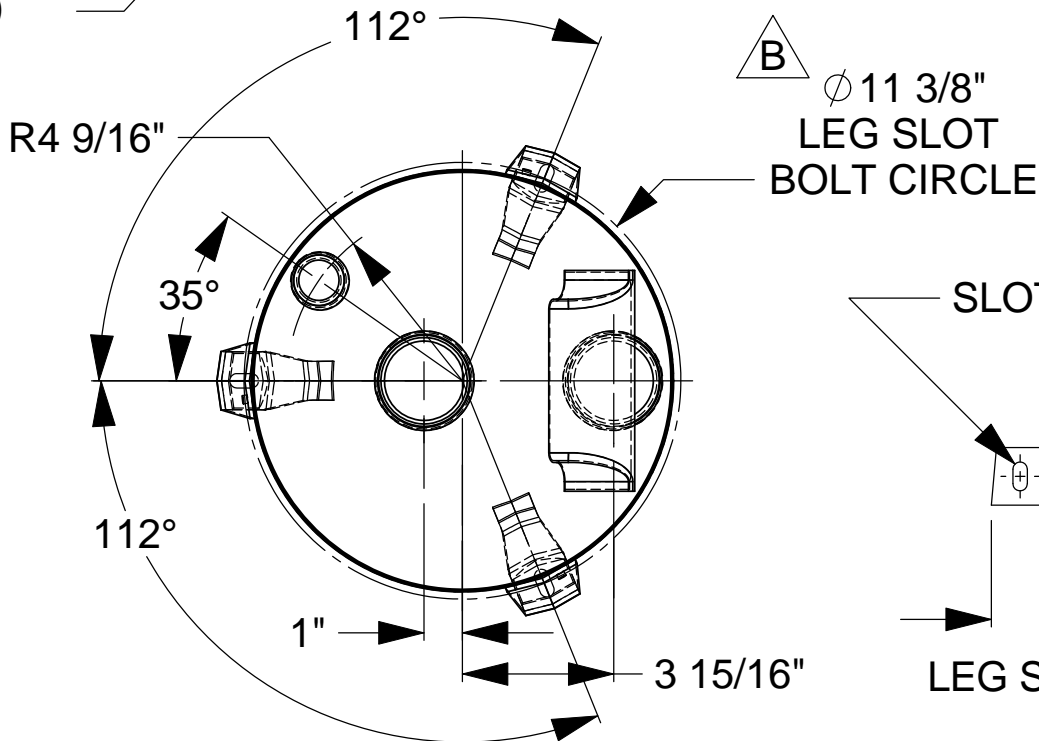
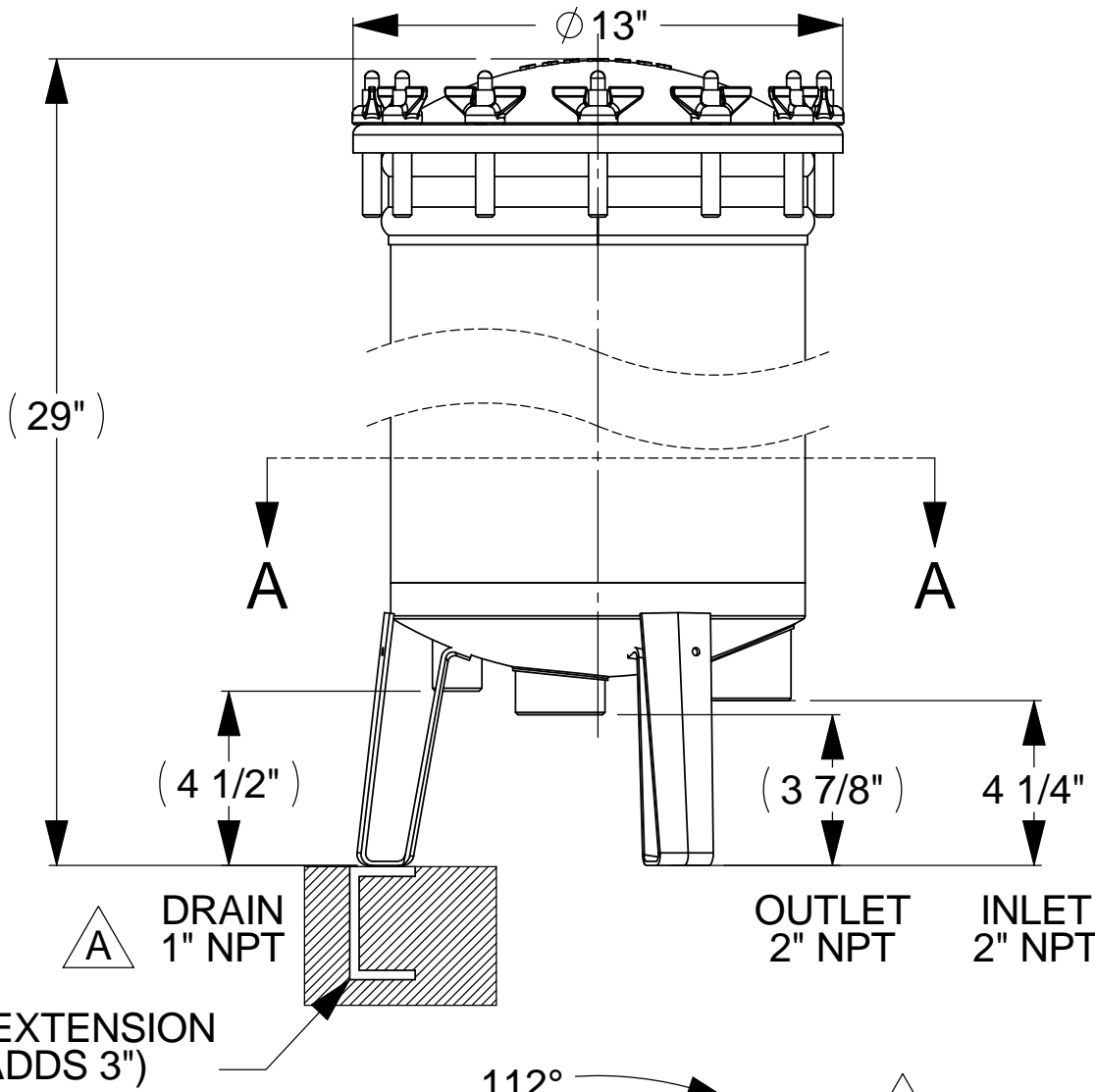


REV.	DESCRIPTION	DATE	APPROVED
A	CALLOUT PIPE SIZE	11/99	
B	LEG SLOT BC CALLOUT WAS 10" ϕ	9/9/13	RPT

ALLOW 49" FOR OVERHEAD CLEARANCE



SECTION A-A
FOOTPRINT

HARMSCO INC.
 P.O. BOX 14066 N. PALM BEACH, FL
 PART NO. HIF 16
 PART NAME
 INSTALLATION DIAGRAM
 SCALE 1:5
 DRAWN ON CAD DO NOT SCALE

APPROVALS	DATE
DRAWN CWMN	5/2/00
APPROVED DRN. RPT	5/31/00

UNLESS OTHERWISE SPECIFIED DIMENSIONS ARE IN INCHES TOLERANCES ARE:
 FRACTIONS DECIMALS ANGLES
 +/- 1/8 +/- .010 +/- .30"

THE INFORMATION CONTAINED IN THIS DRAWING IS THE SOLE PROPERTY OF HARMSCO INC. ANY REPRODUCTION IN PART OR WHOLE WITHOUT THEIR EXPRESS WRITTEN CONSENT IS PROHIBITED.