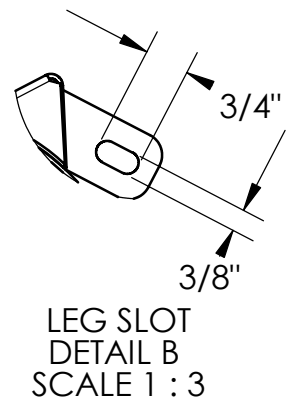
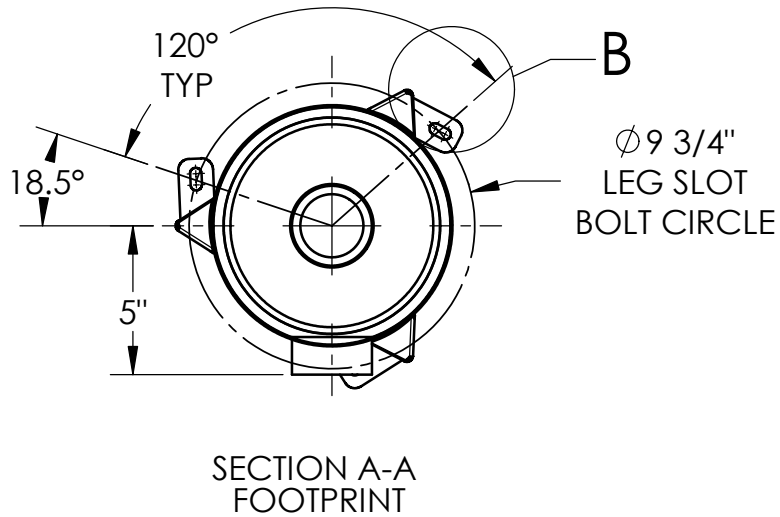
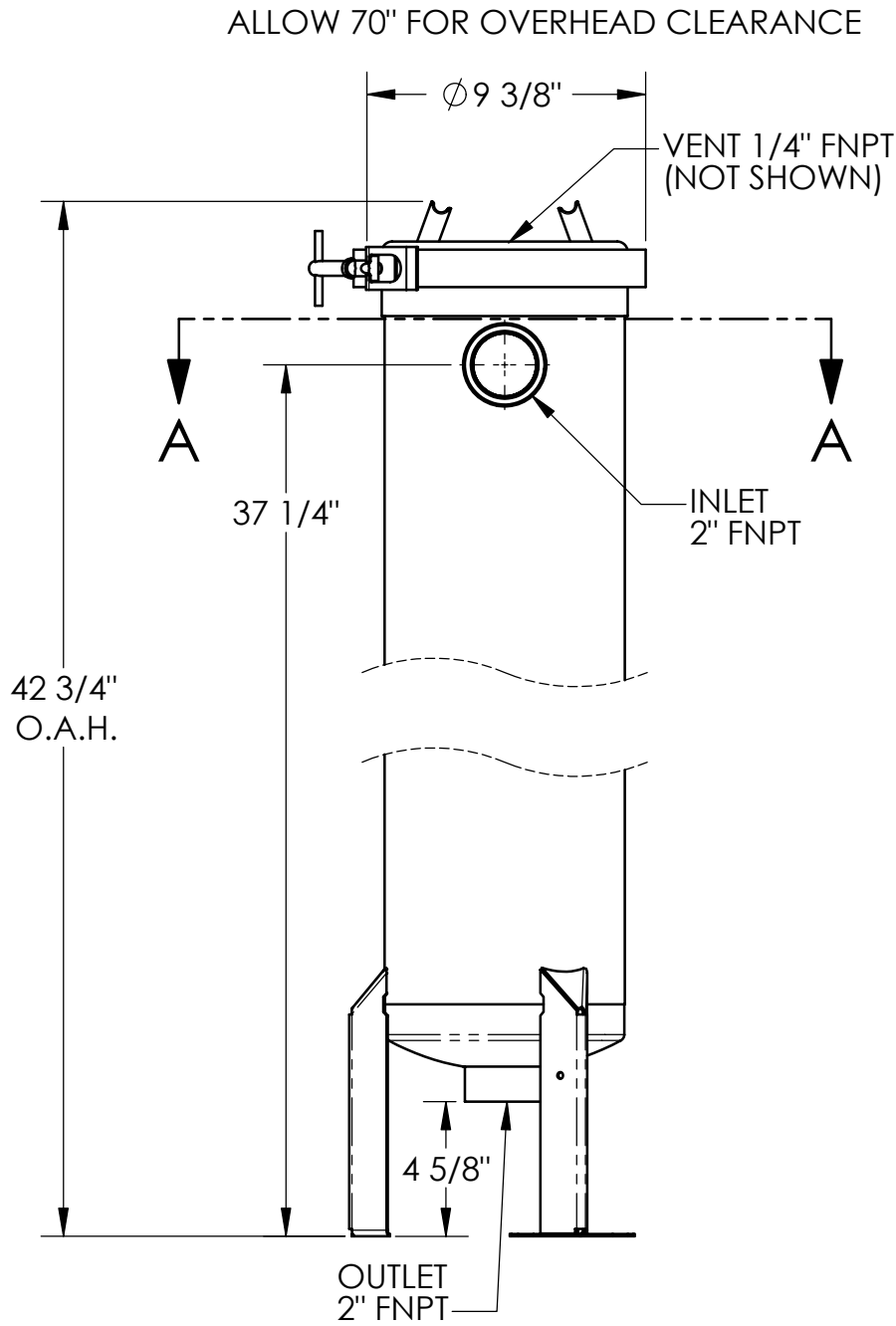


THE INFORMATION CONTAINED IN THIS DRAWING IS THE SOLE PROPERTY OF HARMSCO INC. ANY REPRODUCTION IN PART OR WHOLE WITHOUT THEIR EXPRESS WRITTEN CONSENT IS PROHIBITED.

E FILE: INSTALLATION DIAGRAM- BCB-2-2-STD

REV.	DESCRIPTION	DATE	APPROVED



HARMSCO INC.

P.O. BOX 14066 N. PALM BEACH, FL

SCALE "1:6"

PART NAME

INSTALLATION DIAGRAM

PART NO.

BCB-2-2-STD

APPROVALS	DATE
DRAWN RPT	7/06
APPROVED	

UNLESS OTHERWISE SPECIFIED DIMENSIONS ARE IN INCHES TOLERANCES ARE:

FRACTIONS DECIMALS	ANGLES
+/- 1/8 +/- .010	+/- 1°

DRAWN ON CAD DO NOT SCALE