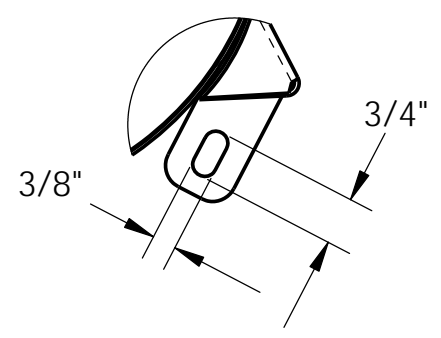
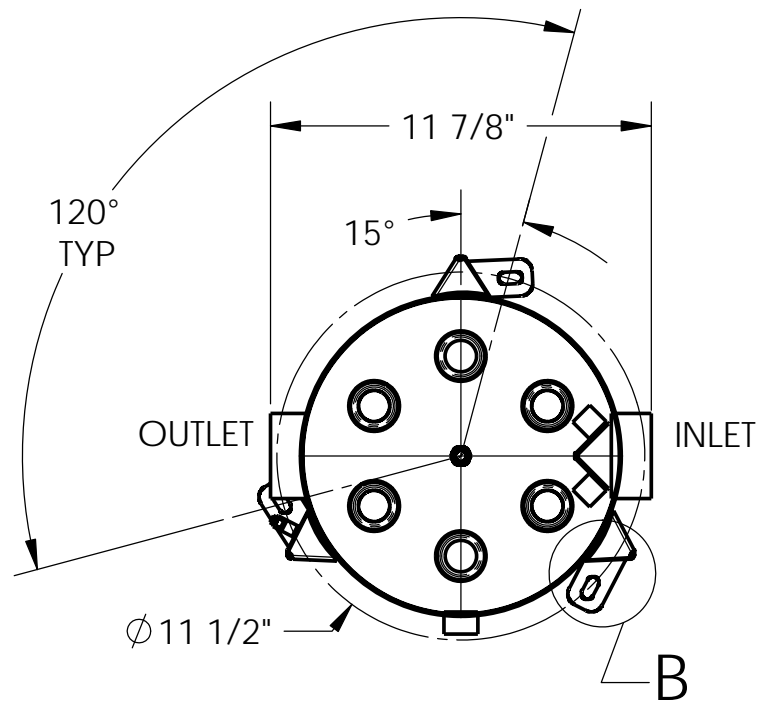
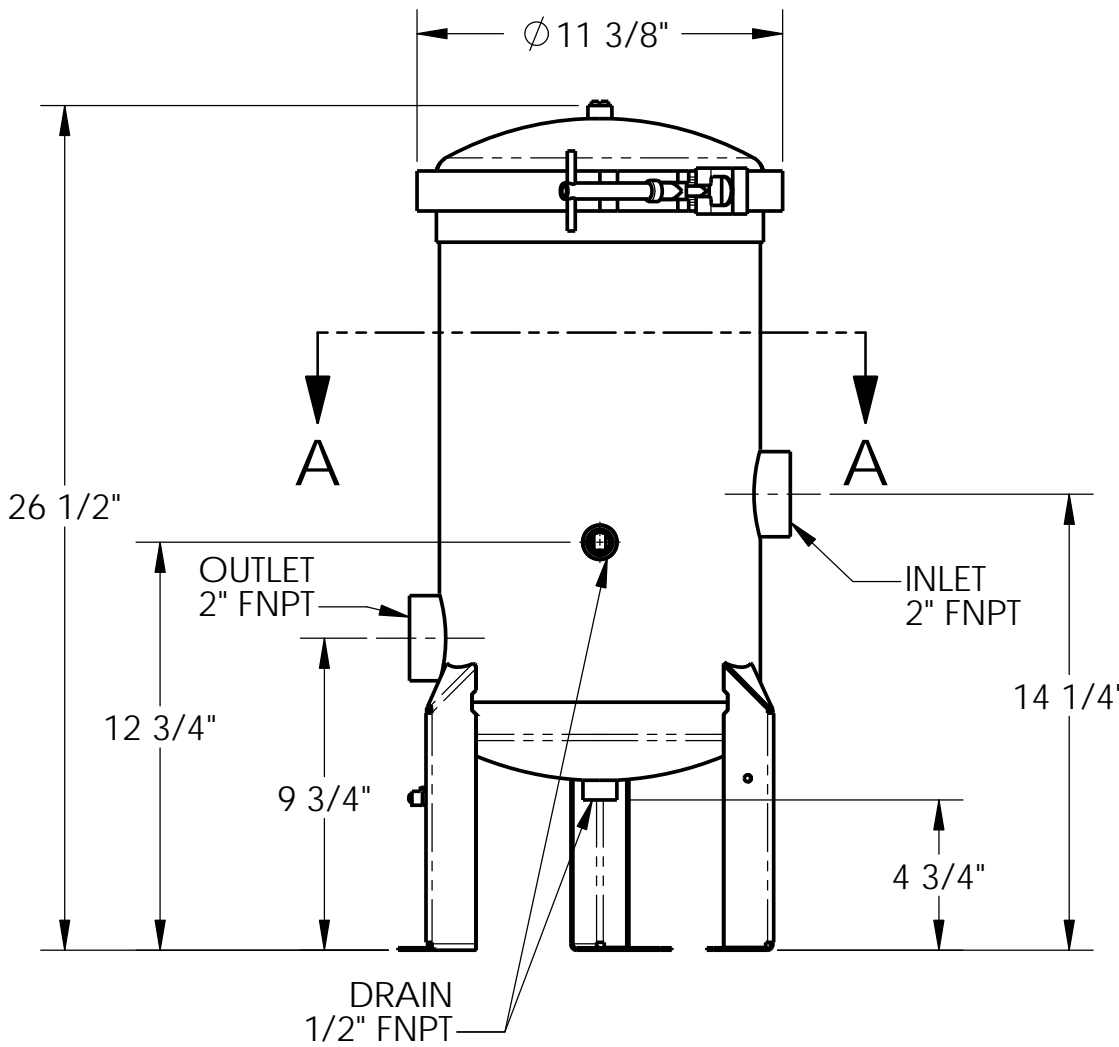


| REV. | DESCRIPTION | DATE | APPROVED |
|------|-------------|------|----------|
|      |             |      |          |
|      |             |      |          |

ALLOW 35" FOR OVERHEAD CLEARANCE



LEG SLOT  
DETAIL B  
SCALE 1 : 3

**HARMSCO INC.**

P.O. BOX 14066 N. PALM BEACH, FL

PART NAME  
**INSTALLATION  
DIAGRAM**

PART NO.  
**BC6-1-T-**

SCALE  
"1.6"

| APPROVALS | DATE    |
|-----------|---------|
| DRAWN     | 3-28-05 |
| APPROVED  | RS      |

UNLESS OTHERWISE SPECIFIED  
DIMENSIONS ARE IN INCHES  
TOLERANCES ARE:  
FRACTIONS DECIMALS ANGLES  
+/- 1/32 +/- .010 +/- .30

DRAWN ON CAD DO NOT SCALE

THE INFORMATION CONTAINED IN THIS DRAWING IS THE SOLE PROPERTY OF HARMSCO INC. ANY REPRODUCTION IN PART OR WHOLE WITHOUT THEIR EXPRESS WRITTEN CONSENT IS PROHIBITED.

SECTION A-A  
FOOTPRINT

file name: ID BC6-1-T-062613